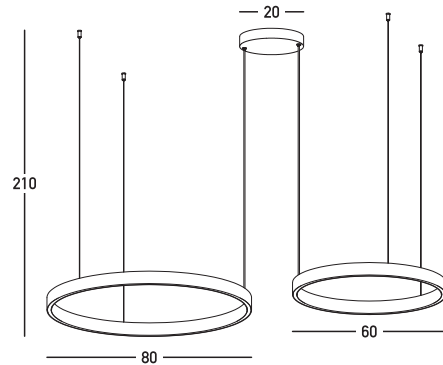


Product Data Sheet

Code 25372

Color: Sandy Black

Date: 11/11/2025
Zambelis Lights



Physical Specifications

Luminaire Type	Indoor Pendant Lights
Special Feature	Up-Down Lighting
Color	Sandy Black
Material	Aluminium - Acrylic
IP	20
Warranty	3 Years

Dimensions Reference

Overall Dimensions	∅: 60cm + ∅: 80cm H: 210cm
Base	∅: 20cm H: 4cm
Profile	1.8 x 5cm
Cable & Wires	200cm Cable Adjustable
Cutting Hole	None
Depth Required	None

Illumination Data

Color Temperature	3000K
Cri	80
Lumen Output	6294Lm
Beam Angle	360° in a sphere
UGR	N/A
Energy Efficiency Class	F
Indicative Lifetime	L70B50 30000h
Mc Adam	SDCM<2

Electrical Specifications

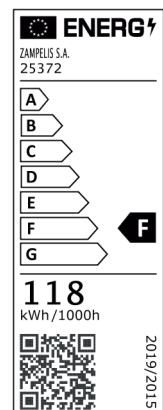
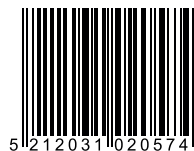
Input Voltage	220-240V
Operating Frequency	50/60Hz
Power	118W
Supply Current	1500mA
Voltage Compatibility	32-42VDC
Light Source	LED Built in
Dimming Options	Triac
Safety Class	I

Packing Info

Package Size	L: 86cm W: 86cm H: 10cm
Gross Weight	5kg

Product Description

Pendant LED Light Up-Down 118W 3000K
Sandy Black Aluminium - Acrylic



www.zambelislights.gr | info@zambelislights.gr



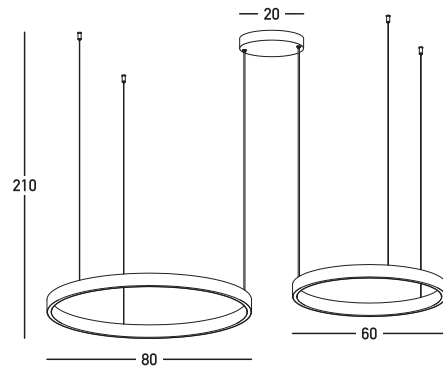
Product Data Sheet

Date: 11/11/2025
Zambelis Lights

Code 25373

Color: Electroplate

Brushed Nickel



Physical Specifications

Luminaire Type	Indoor Pendant Lights
Special Feature	Up-Down Lighting
Color	Electroplate Brushed Nickel
Material	Aluminium - Acrylic
IP	20
Warranty	3 Years

Dimensions Reference

Overall Dimensions	∅: 60cm + ∅: 80cm H: 210cm
Base	∅: 20cm H: 4cm
Profile	1.8 x 5cm
Cable & Wires	200cm Cable Adjustable
Cutting Hole	None
Depth Required	None

Illumination Data

Color Temperature	3000K
Cri	80
Lumen Output	6294Lm
Beam Angle	360° in a sphere
UGR	N/A
Energy Efficiency Class	F
Indicative Lifetime	L70B50 30000h
Mc Adam	SDCM<2

Electrical Specifications

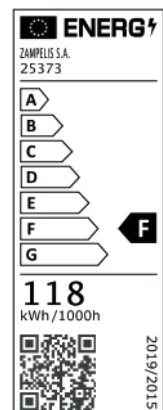
Input Voltage	220-240V
Operating Frequency	50/60Hz
Power	118W
Supply Current	1500mA
Voltage Compatibility	32-42VDC
Light Source	LED Built in
Dimming Options	Triac
Safety Class	I

Packing Info

Package Size	L: 86cm W: 86cm H: 10cm
Gross Weight	5kg

Product Description

Pendant LED Light Up-Down 118W 3000K
Electroplate Brushed Nickel Aluminium - Acrylic



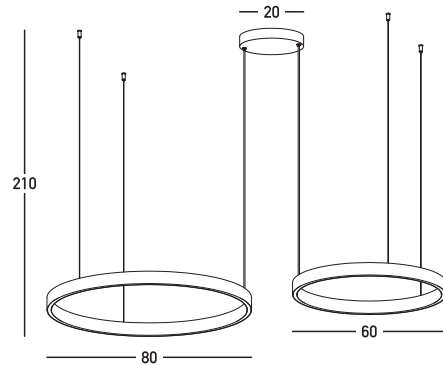
Product Data Sheet

Date: 11/11/2025
Zambelis Lights

Code 25374

Color: Electroplate

Brushed Coffee



Physical Specifications

Luminaire Type	Indoor Pendant Lights
Special Feature	Up-Down Lighting
Color	Electroplate Brushed Coffee
Material	Aluminium - Acrylic
IP	20
Warranty	3 Years

Dimensions Reference

Overall Dimensions	∅: 60cm + ∅: 80cm H: 210cm
Base	∅: 20cm H: 4cm
Profile	1.8 x 5cm
Cable & Wires	200cm Cable Adjustable
Cutting Hole	None
Depth Required	None

Illumination Data

Color Temperature	3000K
Cri	80
Lumen Output	6294Lm
Beam Angle	360° in a sphere
UGR	N/A
Energy Efficiency Class	F
Indicative Lifetime	L70B50 30000h
Mc Adam	SDCM<2

Electrical Specifications

Input Voltage	220-240V
Operating Frequency	50/60Hz
Power	118W
Supply Current	1500mA
Voltage Compatibility	32-42VDC
Light Source	LED Built in
Dimming Options	Triac
Safety Class	I

Packing Info

Package Size	L: 86cm W: 86cm H: 10cm
Gross Weight	5kg

Product Description

Pendant LED Light Up-Down 118W 3000K
Electroplate Brushed Coffee Aluminium - Acrylic

