

FOSCARINI



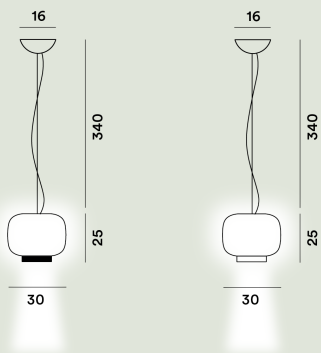
Chouchin Suspension

Ionna Vautrin

2011

A contemporary take on traditional Japanese lanterns, Chouchin Reverse stands out for its coloured lower border, providing a different kind of light with respect to Chouchin. Available with new refined and contemporary colours and in a completely white version. The blown glass diffuser spreads sunny, bright light into the space, aiming the glow downward at the same time.

Chouchin 3-Reverse Suspension LED



Color

White

Material

Blown glass

Light Source

LED included 23,9W 2700 K 2581lm CRI >90 Dimmable PUSH and DALI

LED included 23,9W 2700 K 2581lm CRI >90 On-Off

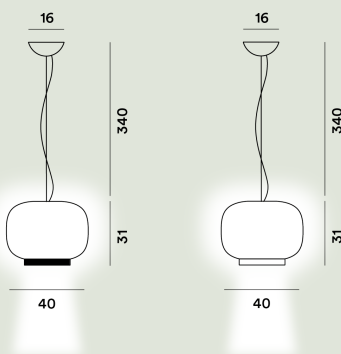
Weight

kg 4,2

Certifications

CE IP 20

Chouchin 1-Reverse Suspension LED



Color

White

Material

Blown glass

Light Source

LED included 23,9W 2700 K 2581lm CRI >90 Dimmable PUSH and DALI

LED included 23,9W 2700 K 2581lm CRI >90 On-Off

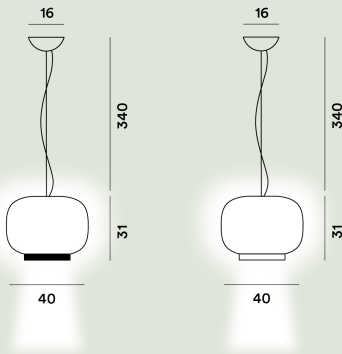
Weight

kg 5

Certifications

CE IP 20

Chouchin 1-Reverse Suspension



Color
White orange, White gold

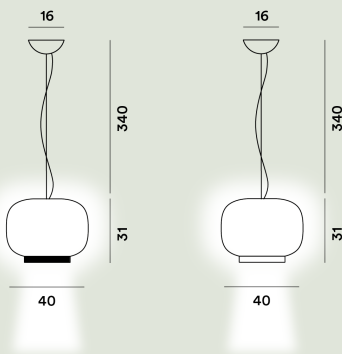
Material
Lacquered blow glass

Light Source
LED retrofit bulb included E27 21W 2700 K 2581lm CRI >80 Dimmable

Weight
kg 4,4

Certifications
CE IP 20

Chouchin 1-Reverse Suspension LED



Color
White orange, White gold

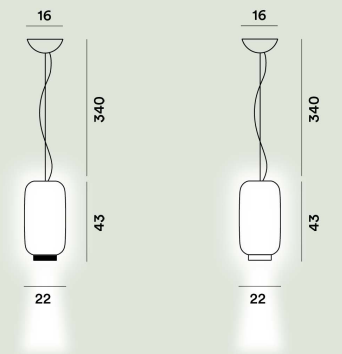
Material
Lacquered blow glass

Light Source
LED included 23,9W 2700 K 2581lm CRI >90 Dimmable PUSH and DALI
LED included 23,9W 2700 K 2581lm CRI >90 On-Off

Weight
kg 5

Certifications
CE IP 20

Chouchin 2-Reverse Suspension



Color
White

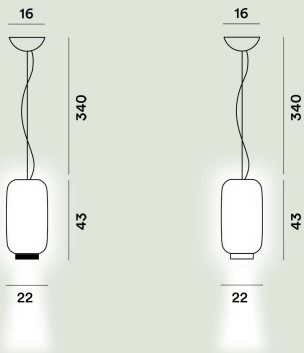
Material
Blown glass

Light Source
LED retrofit bulb included E27 21W 2700 K 2581lm CRI >80 Dimmable

Weight
kg 2,9

Certifications
CE IP 20

Chouchin 2-Reverse Suspension LED

**Color**

White

Material

Blown glass

Light Source

LED included 23,9W 2700 K 2581lm CRI >90 Dimmable PUSH and DALI
LED included 23,9W 2700 K 2581lm CRI >90 On-Off

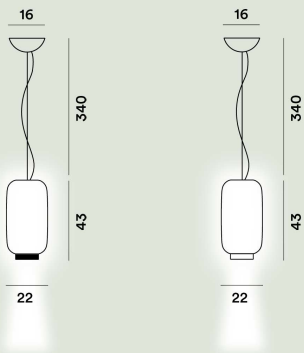
Weight

kg 3,5

Certifications

CE IP 20

Chouchin 2-Reverse Suspension

**Color**

White black, White green

Material

Lacquered blow glass

Light Source

LED retrofit bulb included E27 21W 2700 K 2581lm CRI >80 Dimmable

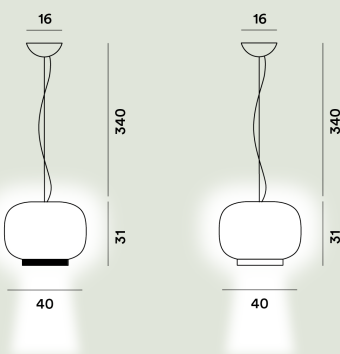
Weight

kg 2,9

Certifications

CE IP 20

Chouchin 1-Reverse Suspension

**Color**

White

Material

Lacquered blow glass

Light Source

LED retrofit bulb included E27 21W 2700 K 2581lm CRI >80 Dimmable

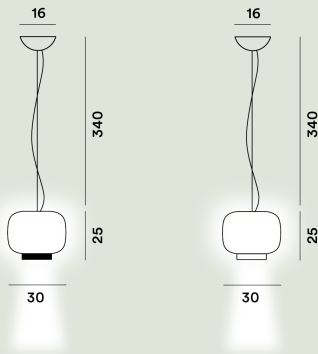
Weight

kg 4,4

Certifications

CE IP 20

Chouchin 3-Reverse Suspension

**Color**

White

Material

Blown glass

Light Source

LED retrofit bulb included E27 21W 2700 K 2581lm CRI >80 Dimmable

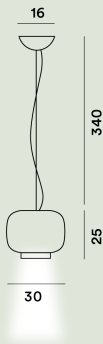
Weight

kg 3,6

Certifications

CE IP 20

Chouchin 3 Suspension LED

**Color**

Grey

Material

Lacquered blow glass

Light Source

LED included 23,9W 2700 K 2581lm CRI >90 Dimmable PUSH and DALI

LED included 23,9W 2700 K 2581lm CRI >90 On-Off

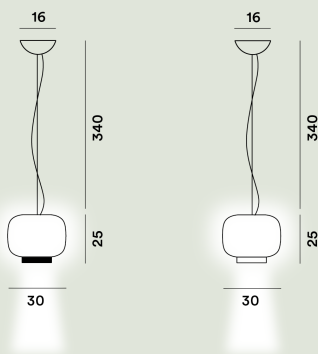
Weight

kg 4,2

Certifications

CE IP 20

Chouchin 3-Reverse Suspension

**Color**

White grey

Material

Lacquered blow glass

Light Source

LED retrofit bulb included E27 21W 2700 K 2581lm CRI >80 Dimmable

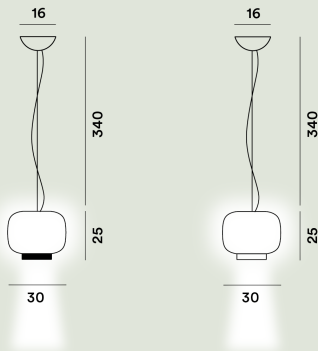
Weight

kg 3,6

Certifications

CE IP 20

Chouchin 3-Reverse Suspension LED

**Color**

White grey

Material

Lacquered blow glass

Light Source

LED included 23,9W 2700 K 2581lm CRI >90 Dimmable PUSH and DALI
LED included 23,9W 2700 K 2581lm CRI >90 On-Off

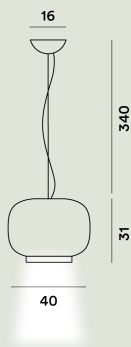
Weight

kg 4,2

Certifications

CE IP 20

Chouchin 1 Suspension

**Color**

Orange

Material

Lacquered blow glass

Light Source

LED retrofit bulb included E27 21W 2700 K 2581lm CRI >80 Dimmable

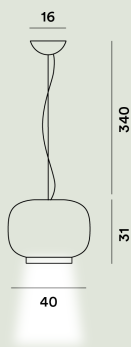
Weight

kg 4,4

Certifications

CE IP 20

Chouchin 1 Suspension LED

**Color**

Orange

Material

Lacquered blow glass

Light Source

LED included 23,9W 2700 K 2581lm CRI >90 Dimmable PUSH and DALI
LED included 23,9W 2700 K 2581lm CRI >90 On-Off

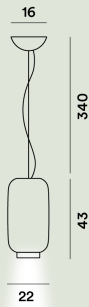
Weight

kg 5

Certifications

CE IP 20

Chouchin 2 Suspension

**Color**

Green

Material

Lacquered blow glass

Light Source

LED retrofit bulb included E27 21W 2700 K 2581lm CRI >80 Dimmable

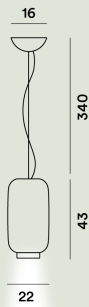
Weight

kg 2,9

Certifications

CE IP 20

Chouchin 2 Suspension LED

**Color**

Green

Material

Lacquered blow glass

Light Source

LED included 23,9W 2700 K 2581lm CRI >90 Dimmable PUSH and DALI

LED included 23,9W 2700 K 2581lm CRI >90 On-Off

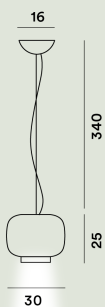
Weight

kg 3,5

Certifications

CE IP 20

Chouchin 3 Suspension

**Color**

Grey

Material

Lacquered blow glass

Light Source

LED retrofit bulb included E27 21W 2700 K 2581lm CRI >80 Dimmable

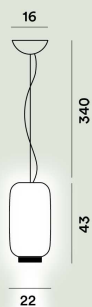
Weight

kg 3,6

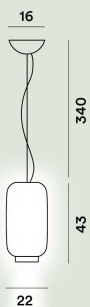
Certifications

CE IP 20

Chouchin 2-Reverse Suspension LED



22



22

Color

White black, White green

Material

Lacquered blow glass

Light Source

LED included 23,9W 2700 K 2581lm CRI >90 Dimmable PUSH and DALI

LED included 23,9W 2700 K 2581lm CRI >90 On-Off

Weight

kg 3,5

Certifications

CE IP 20